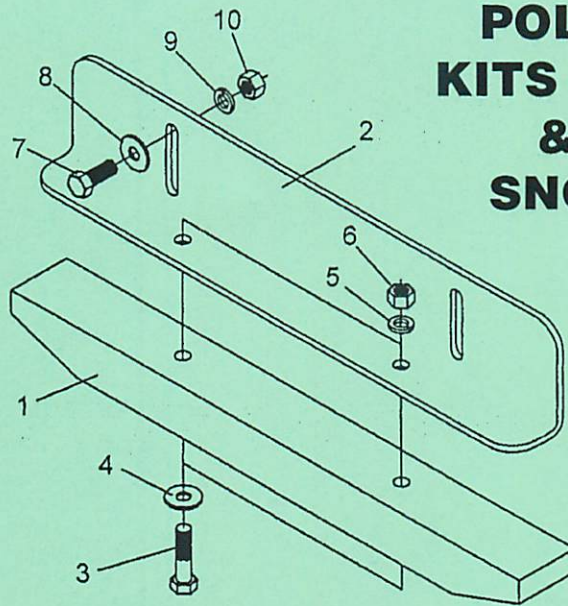
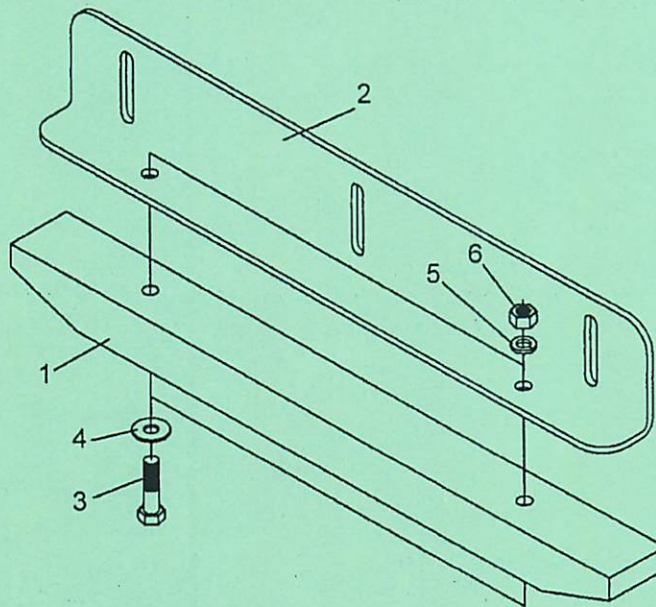


POLY SKID SHOE KITS FOR 20 SERIES & 24 SERIES SNOW PUSHERS



Ref. No.	Part No.	Description	No. Req'd.
1	358241	UHMW Skid Shoe (20 Series)	2
2	358242	Skid Shoe Mount (20 Series)	2
3	2503007	Bolt 1/2"-13NC x 2" Hex Head Gr. 2	4
4	2501003	Flat Washer 1/2"	4
5	2502002	Spring Lock Washer 1/2"	4
6	2500003	Nut 1/2"-13NC Full Hex	4
The following items are for pushers that need holes hand drilled			
7	2503026	Bolt 1/2"-13NC x 1 1/4" Hex Head Gr. 2	4
8	2501003	Flat Washer 1/2"	4
9	2502002	Spring Lock Washer 1/2"	4
10	2500003	Nut 1/2"-13NC Full Hex	4



Ref. No.	Part No.	Description	No. Req'd.
1	358246	UHMW Skid Shoe (24 Series)	2
2	358247	Skid Shoe Mount (24 Series)	2
3	2503007	Bolt 1/2"-13NC x 2" Hex Head Gr. 2	4
4	2501003	Flat Washer 1/2"	4
5	2502002	Spring Lock Washer 1/2"	4
6	2500003	Nut 1/2"-13NC Full Hex	4